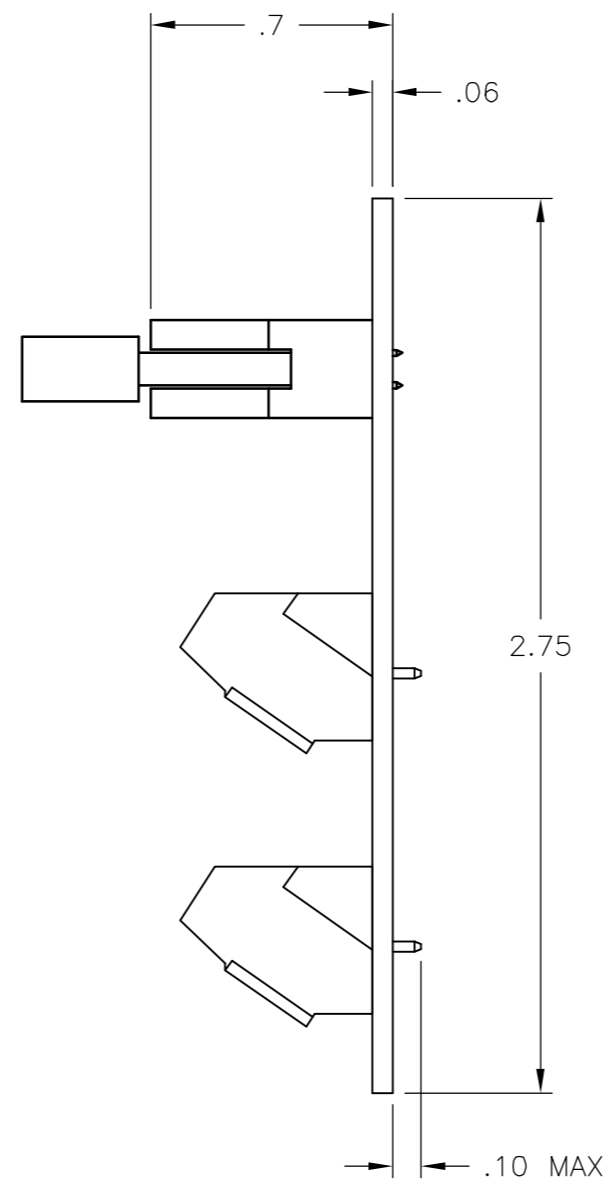
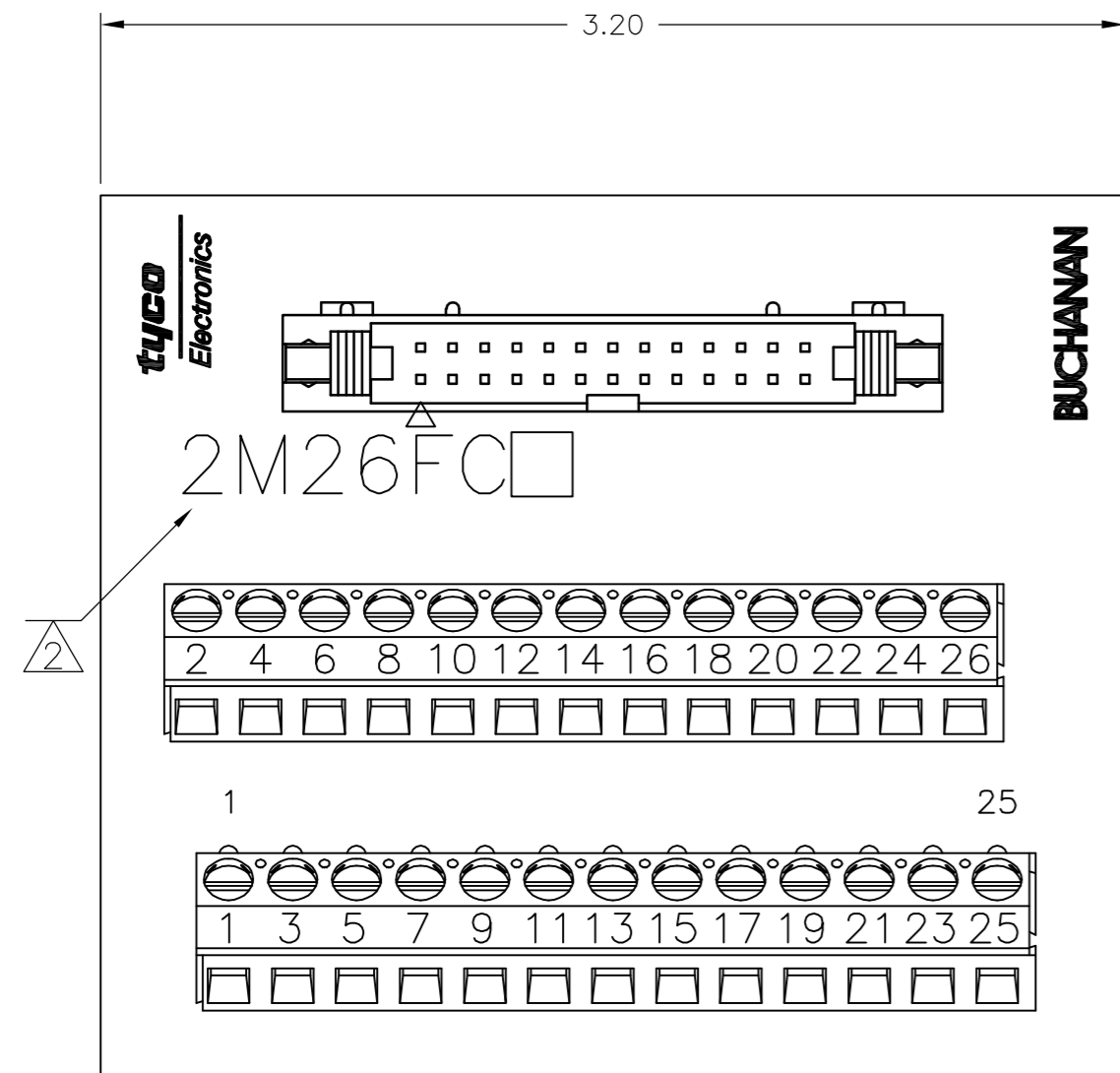


THIS DRAWING IS UNPUBLISHED. RELEASED FOR PUBLICATION
 © COPYRIGHT BY TYCO ELECTRONICS CORPORATION. ALL RIGHTS RESERVED.

LOC		DIST		REVISIONS			
P	LTR	DESCRIPTION		DATE	DWN	APVD	
	B	REVISED PER ECO-05-10413		9/30/05	SS	SRV	



HEADER:
MATERIALS:
 HEADER: COPPER ALLOY, GOLD PLATE, 94V-0 THERMOPLASTIC.
 CONNECTOR: COPPER ALLOY, GOLD PLATE, 94V-0 THERMOPLASTIC.

ELECTRICAL:
 RATING: 1 AMPERE MAX. (CONNECTOR).

MECHANICAL:
 WIRE RANGE: 26-30 AWG SOLID, 28 AWG STRANDED.

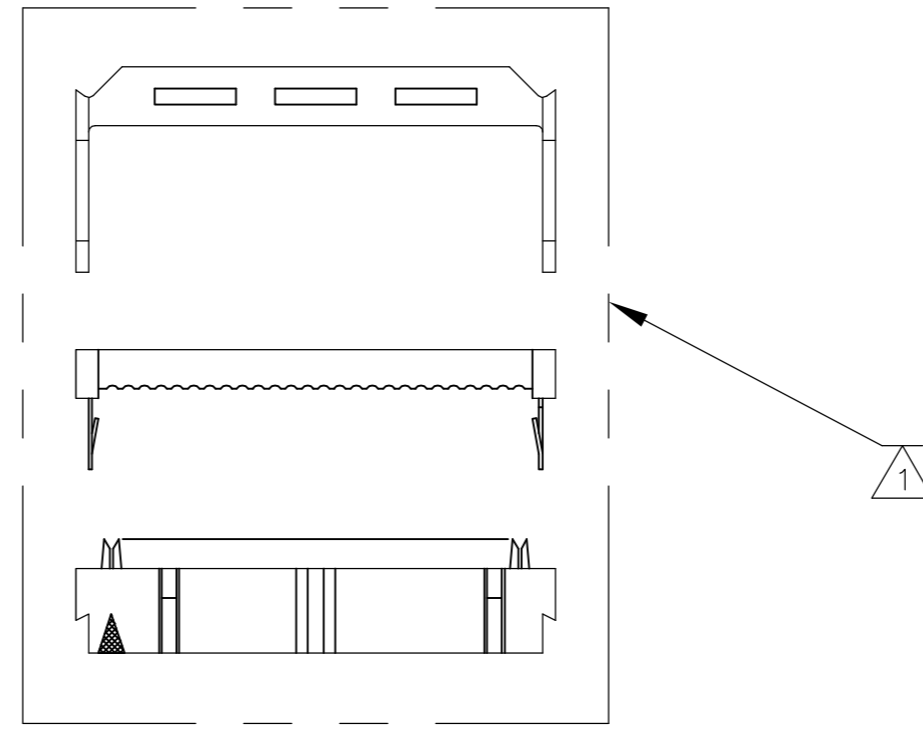
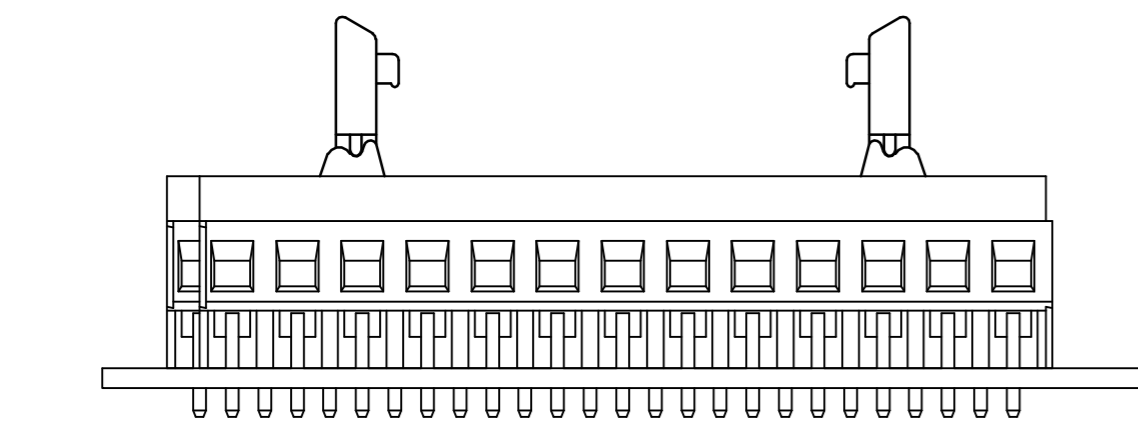
TERMINAL BLOCK:
MATERIALS:
 HOUSING: THERMOPLASTIC NYLON, BLACK, 94V-0.
 TERMINALS: COPPER ALLOY, TIN PLATED.
 SCREWS: 3M, BRASS, NICKEL PLATED.

ELECTRICAL:
 RATING: 10A, 300V(UL).

MECHANICAL:
 WIRE RANGE: 14-22 AWG.

MOUNTING:
MATERIALS:
 MOUNTING: 2TK2 AND 2TK2D SERIES SNAPTRACK (SOLD SEPARATELY).

- ① ALL CONNECTOR/STRAIN RELIEF COMPONENTS TO BE SHIPPER LOOSE AND UNASSEMBLED.
- ② CATALOG NUMBER MARKED HERE.
- ③ CONTAINS NO TIN-LEAD PLATING.



③ 2M26FCL	1776630-1
2M26FC	1-1437684-9
CATALOG NUMBER	PART NUMBER

THIS DRAWING IS A CONTROLLED DOCUMENT.		DWN	M.S. FEHER	01APR2004	Tyco Electronics Corporation Harrisburg, PA 17105-3608																					
DIMENSIONS: INCHES		CHK	S. YODER	01APR2004																						
TOLERANCES UNLESS OTHERWISE SPECIFIED:		APVD	S. YODER	01APR2004																						
<table border="1"> <tr><td>0 PLC</td><td>±</td><td>-</td></tr> <tr><td>1 PLC</td><td>±</td><td>.1</td></tr> <tr><td>2 PLC</td><td>±</td><td>.01</td></tr> <tr><td>3 PLC</td><td>±</td><td>-</td></tr> <tr><td>4 PLC</td><td>±</td><td>-</td></tr> <tr><td>ANGLES</td><td>±</td><td>-</td></tr> <tr><td>FINISH</td><td>-</td><td>-</td></tr> </table>		0 PLC	±	-		1 PLC	±	.1	2 PLC	±	.01	3 PLC	±	-	4 PLC	±	-	ANGLES	±	-	FINISH	-	-	PRODUCT SPEC	-	NAME
0 PLC	±	-																								
1 PLC	±	.1																								
2 PLC	±	.01																								
3 PLC	±	-																								
4 PLC	±	-																								
ANGLES	±	-																								
FINISH	-	-																								
MATERIAL		APPLICATION SPEC	-	SIZE	A2																					
		WEIGHT	-	CAGE CODE	00779																					
		CUSTOMER DRAWING	-	DRAWING NO	1-1437684-9																					
		SCALE	NTS	SHEET	1 of 1																					
		REV	B	RESTRICTED TO	-																					